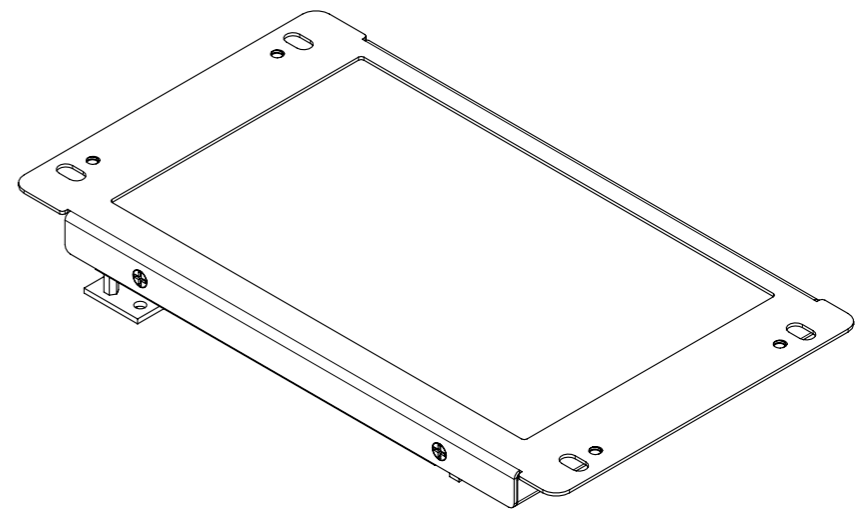


DETAIL A
SCALE 1:1



DWG REV	DATE	UNLESS OTHERWISE SPECIFIED TOLERANCES		DESIGN YOUQX	DRAWING NAME		PRODUCT NAME
		X.XXX/FL	± 0.005		OF 70R02 - ASSY		OF 70R02
		X.XX	± 0.01	CHECKED/ APPROVED			
D1	2013/11/22	X.X	± 0.1	MAT'L	SHRINKAGE	SCALE 3/5	SHT OF
D2	2015/01/17	x.	± 0.5	THIRD ANGLE PROJECTION	DO NOT SCALE DRAWING		
				MM			